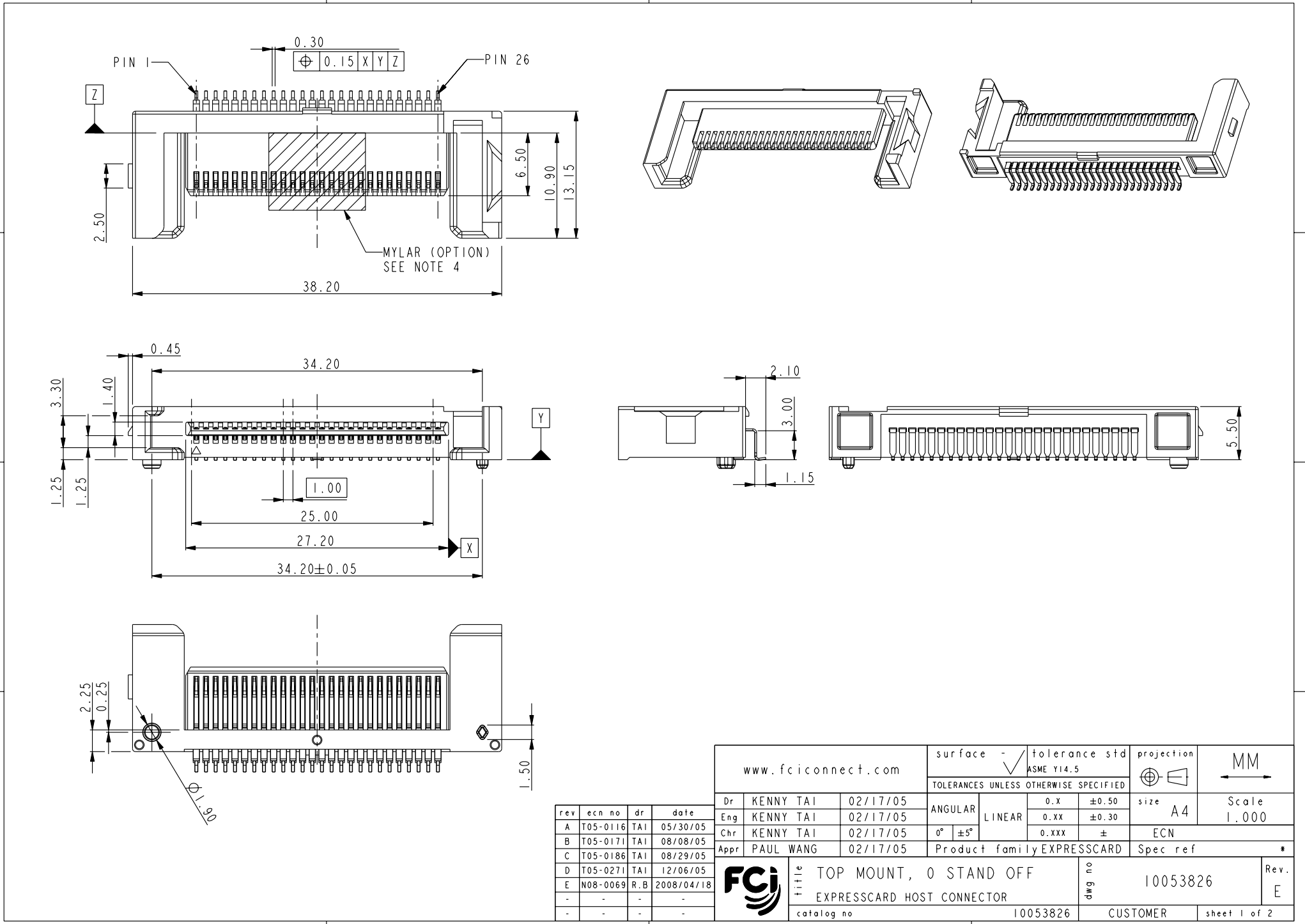




Copyright FCI.



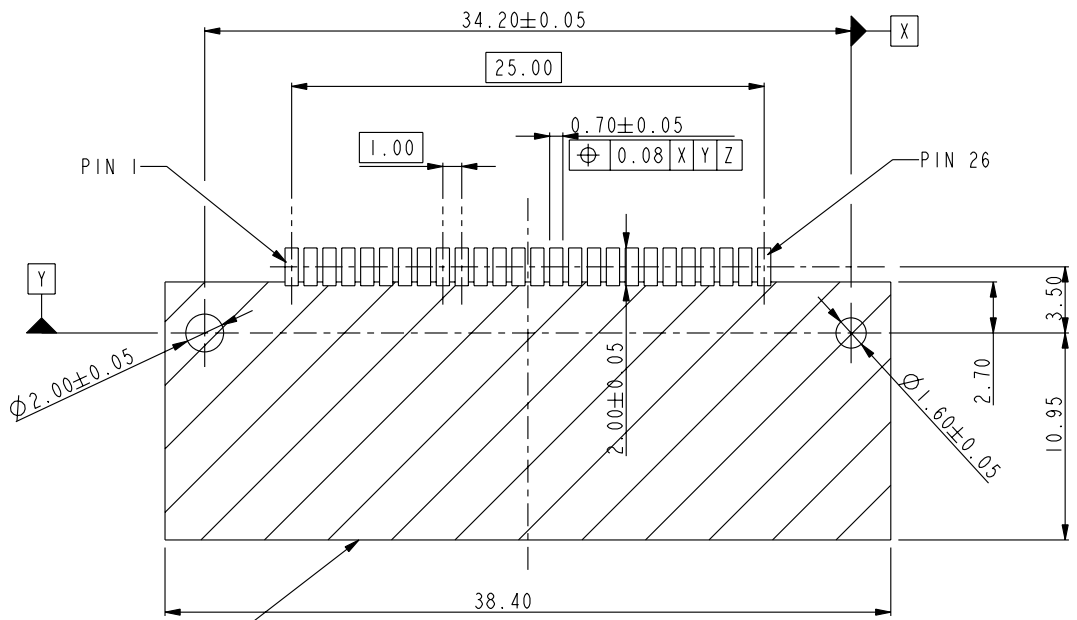
| rev | ecn no | dr | date |
|-----|----------|-----|------------|
| A | T05-0116 | TAI | 05/30/05 |
| B | T05-0171 | TAI | 08/08/05 |
| C | T05-0186 | TAI | 08/29/05 |
| D | T05-0271 | TAI | 12/06/05 |
| E | N08-0069 | R.B | 2008/04/18 |
| - | - | - | - |
| - | - | - | - |

| | | | | | |
|--------------------|-----------|---|----------------------------|-----------------|-------------|
| www.fciconnect.com | | surface - ✓ | tolerance std ASME Y14.5 | projection | MM |
| | | TOLERANCES UNLESS OTHERWISE SPECIFIED | | ⊕ | ↔ |
| Dr | KENNY TAI | 02/17/05 | ANGULAR | size A4 | Scale 1.000 |
| Eng | KENNY TAI | 02/17/05 | LINEAR | ECN | |
| Chr | KENNY TAI | 02/17/05 | 0° ±5° | | |
| Appr | PAUL WANG | 02/17/05 | Product family EXPRESSCARD | Spec ref | * |
| FCI | | TITLE TOP MOUNT, 0 STAND OFF EXPRESSCARD HOST CONNECTOR | | dwg no 10053826 | Rev. E |
| | | catalog no 10053826 | CUSTOMER | sheet 1 of 2 | |

REV F - 2006-04-17



Copyright FCI.



NOTES :

- MATERIAL:
HOUSING: HIGH TEMPERATURE THERMOPLASTIC,
UL 94 V-0 FLAME RETARDANT.
TERMINAL: COPPER ALLOY.
PLATING SPEC. AS BELOW :
Ni 50u" UNDER PLATED.
Au OR GXT OVER CONTACT AREA. (ONE SIDE)
Tin 120u" OVER SOLDERING AREA.
- PACKING SPEC. GS-14-924.
- PRODUCT PERFORMANCE PER SPEC. GS-12-285.
- PART NUMBER SCHEME: (EX. 10053826-100ABSMFLF)
10053826-X XX X X X X LF (LEAD FREE)

| SPEC. | OPTION (CODE) | | |
|------------|---------------|-----------------|----------|
| MYLAR | WITH (M) | WITHOUT () | |
| PACKING | TRAY (S) | TAPE & REEL (T) | TUBE (P) |
| HSG COLOR | BLACK (B) | NATURE (N) | |
| MOUNT SIDE | ABOVE (A) | | |
| STAND-OFF | 0 (00) | | |
| PLATING | GOLD 30u" (1) | GXT 30u" (2) | |
| | | GXT 15u" (4) | |

5. RoHS COMPATIBLE PRODUCT SPECIFICATIONS

- a-PLATING:
-"LF" MEANS THE PRODUCT IS LEAD-FREE, 2micro-meter MINIMUM MATTE TIN OVER 1.27micro-meter MINIMUM NICKEL UNDERPLATE.
- b-MANUFACTURING PROCESS COMPATIBILITY.
-THE HOUSING WILL WITHSTAND EXPOSURE TO 260°C±5°C SOLDER BATH TEMPERATURE FOR 5 SECONDS IN A REFLOW SOLDER APPLICATION WITH A 1.6mm MIN THICK CIRCUIT BOARD.

| | | | | | | | | |
|---------------------------------------|-----------|----------|---|-----------------------------|----------------|--------------|----------|-------------|
| www.fciconnect.com | | | surface <input checked="" type="checkbox"/> | tolerance std ASME Y14.5 | projection | MM | | |
| TOLERANCES UNLESS OTHERWISE SPECIFIED | | | | | | | | |
| Dr | KENNY TAI | 02/17/05 | ANGULAR | LINEAR | 0.X | ±0.50 | size A4 | Scale 1.000 |
| Eng | KENNY TAI | 02/17/05 | | | 0.XX | ±0.30 | ECN | |
| Chr | KENNY TAI | 02/17/05 | | | 0° | ±5° | 0.XXX | ± |
| Appr | PAUL WANG | 02/17/05 | Product family EXPRESSCARD | | | Spec ref | * | |
| FCI | | | TOP MOUNT, 0 STAND OFF | | | dwg no | 10053826 | Rev. E |
| | | | EXPRESSCARD HOST CONNECTOR | | | | | |
| catalog no | | | 10053826 | | CUSTOMER | sheet 2 of 2 | | |